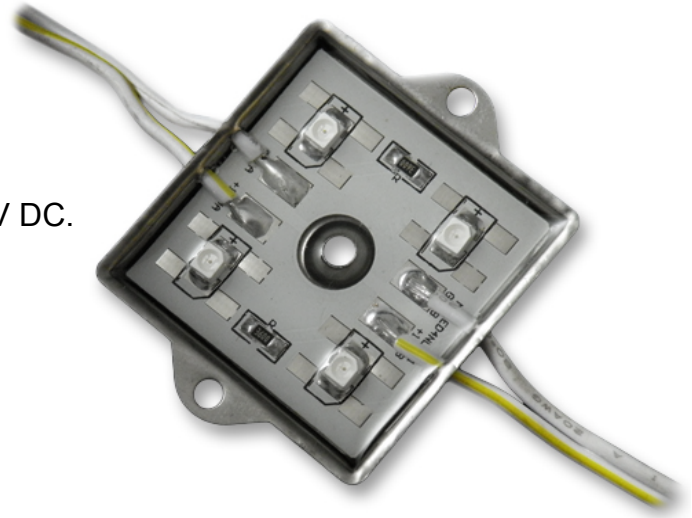


Datasheet for Econo 4 LED Module

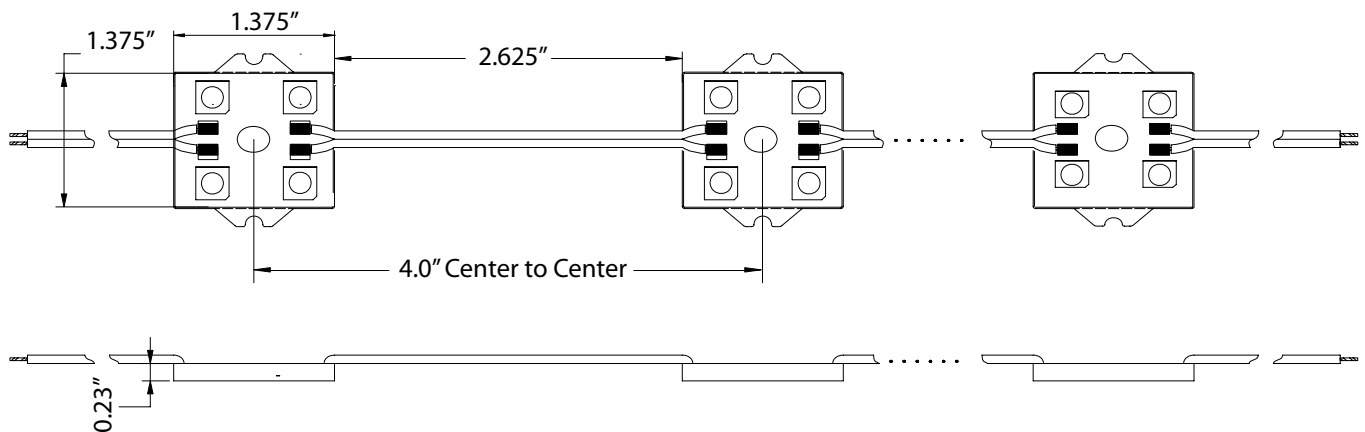


Product Features

- 4 LEDS AS THE LIGHT SOURCE.
- 1.375" X 1.375" LED LIGHT Module (2-LED).
- MODULE THICKNESS: 0.24"
- WORKING VOLTAGE: Constant Voltage 12V DC.
- WORKING CURRENT: 20mA.
- LED VIEW ANGLE: :120°
- PACKAGE: 10 PSC or 50 PCS / Roll.



Typical Applications



Notes:

1. All dimension units are inches.
2. All dimension tolerance is ± 0.04 " unless otherwise noted.

Characteristics



Absolute Maximum Rating at TA = 77°

Parameter	Symbol	Absolute Maximum Rating	Unit
Forward Current	IF	40	mA
Power Dissipation	PD	0.48	W
Electrostatic discharge	ESD	1200	V
Operating Temperature	Topr	-13° to 140°	F
Storage Temperature	Tstg	-40° to 176°	F
Waterproof Rating	IP	67	IP

Electrical / Optical Characteristics at TA = 77°

Part No.	Color	Wavelength	Brightness(lm)	Forward Voltage	Forward Current
MD-HK-A4-A	Amber	3000k-4000k	10	DC 12V	40mA
MD-HK-A4-W	White	6000k-7000k	12	DC 12V	40mA
MD-HK-A4-R	Red	620-630nm	7	DC 12V	40mA
MD-HK-A4-G	Green	515-530nm	12	DC 12V	40mA
MD-HK-A4-B	Blue	455-470nm	5	DC 12V	40mA

Notes: Tolerance of measurement of luminous intensity $\pm 15\%$.

Typical Applications

- Edge-lighting of transparent or diffused materials
- Path & Contour Marking.
- Emergency / rescue signs.
- To couple light into transparent or diffused glass.
- Widespread use in accessorial lights for indoors, medical, landscape,
- Architectural lighting, villa, restaurant, hotel, meeting room, show room, shop, counter and so on.
- General lighting, Task lighting, Household appliances, Architectural lighting, Decorative / pathway lighting