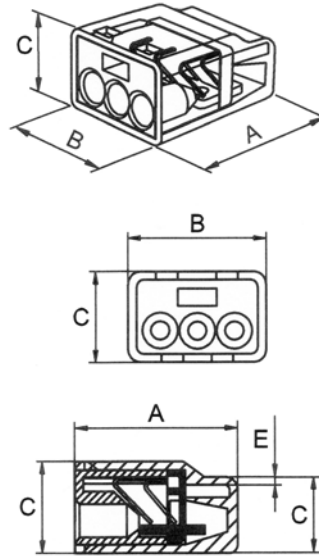


SPECIFICATIONS

Housing Material: Polycarbonate thermoplastic
 Flame retardant UL 94-V2/V0
 Terminal Bus: Copper, Electrolytic tin-plated.
 Stainless spring steel,
 Steel frame, zinc-plated
 Working Temp: -30°C to 105°C (-40°F to 221°F)
 Wire Range: 22-12 AWG solid or stranded* Cu
 0.5-2.5 mm² rigid single-core/multi-core
 Voltage: 600V -UL (1000V fixtures and signs)
 450V -IEC
 Amperage: 24A -IEC
 Stripping Length: 0.43" (11mm)

* Number of strands for stranded conductor:

22 AWG: 7 strands or less
 20 AWG: 10 strands or less
 18 AWG: 16 strands or less
 16 AWG: 26 strands or less
 14 and 12 AWG: 19 strands or less



FEATURES

- Compact transparent housing
- Color coded for easy identification
- Conductivity test slot for use with voltage meter
- Low entry insertion force with superior wire grip
- Accepts solid and stranded wires (no tinning or twisting required for stranded wire)
- Extended wire range acceptance
- RoHS compliant



PART NUMBER	Number Of Ports	Port Diameter	Color	DIMENSION (inches / mm)				
				A	B	C	D	E
LA-GL-PWC-2-100	2	0.1" (2.5mm)	Yellow	0.748 19.00	0.463 11.75	0.411 10.45	0.343 8.70	0.035 0.90
LA-GL-PWC-3-100	3	0.1" (2.5mm)	Orange	0.748 19.00	0.626 15.90	0.411 10.45	0.343 8.70	0.035 0.90
LA-GL-PWC-4-100	4	0.1" (2.5mm)	Clear	0.748 19.00	0.789 20.05	0.411 10.45	0.343 8.70	0.035 0.90

Eco LIGHT
 LED Lighting Solutions

775-636-6060 EcoLightLED.com
 866-348-3492 info@EcoLightLED.com

These specification are subject to change without notice. This specification information is from the manufacturer of this product. Eco Light LED is not the manufacturer of this product.
 Copyright © 2010 Eco Light LED