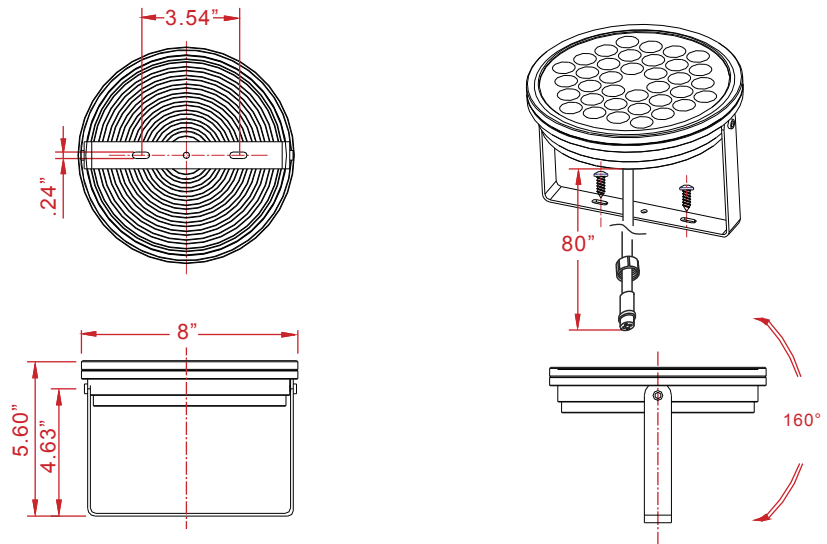


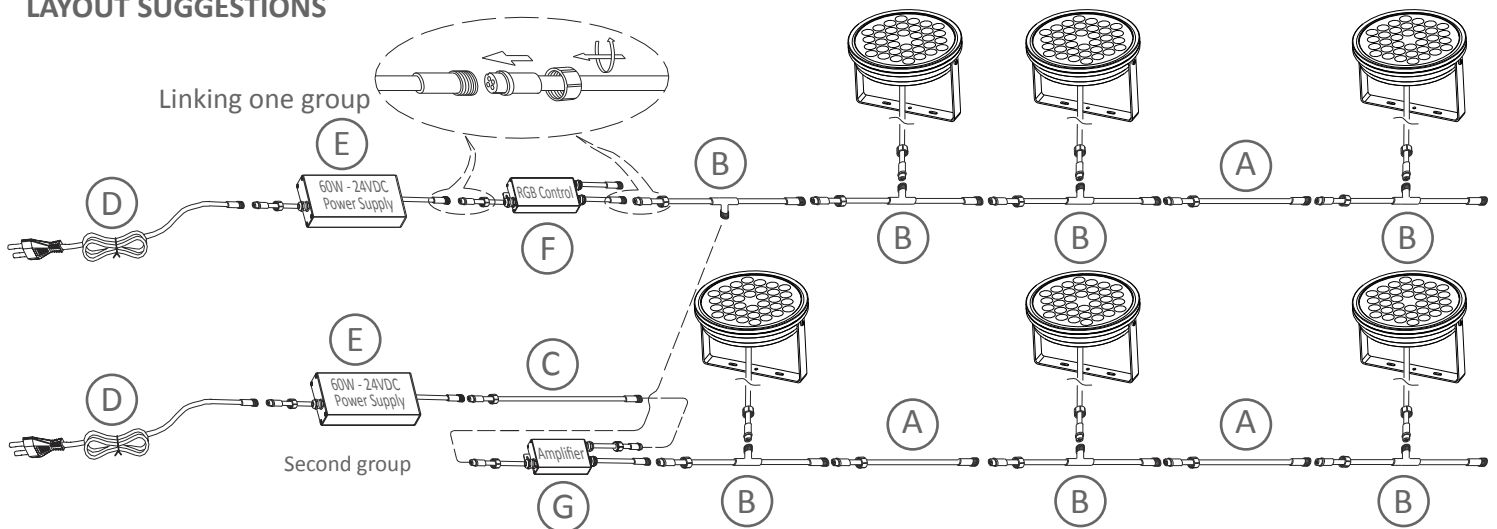
# CONNECTION GUIDE

# Bright Star 8" RGB LED Wallwasher - 36W

## PRODUCT MEASUREMENTS



## LAYOUT SUGGESTIONS



Connect no more than 6 - 18W wall washers in a series powered by a 150W - 24VDC Power Supply.

## ACCESSORY LIST

- A - 80" Waterproof Extension Cord 4 wire for RGB - LA-SC-1CON
- B - 12" Waterproof Tee Connector 4 wire for RGB - LA-SC-2CON
- C - 80" Waterproof Extension Cord 2 wire - LA-SC-3CON
- D - 80" Waterproof Wall Plug 2 wire to connect power supply to wall outlet - LA-SC-11CON
- E - 60 Watt 24VDC Waterproof Power Supply - PS-SC-60W-24 (can connect 1 - 36W Wall washer)  
150 Watt 24VDC Waterproof Power Supply - PS-SC-150W-24 (can connect 3 - 36W wall washers)
- F - RGB Controller Waterproof, 24VDC, 4A per channel with RF Remote - LC-SC-1RGB-WR
- G - RGB Signal Amplifier Water Resistant, 24VDC, 4A per channel - LC-SC-2RGBA

These specifications are subject to change without notice.

This specification information is from the manufacturer of this product. Eco Light LED is not the manufacturer of this product.